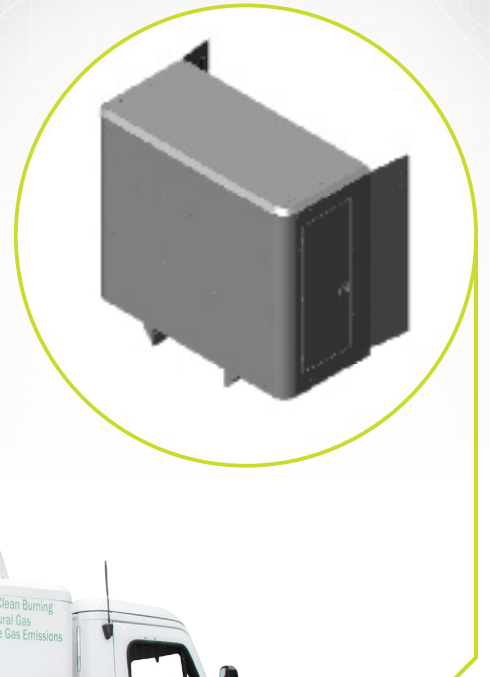


**GEN-5T-N Back of Cab CNG System
For Medium and Heavy-Duty Vehicles**



MAJOR FEATURES INCLUDE:

DESCRIPTION	UNITS	GEN-5T-N BOC SYSTEM
Range	Miles	500-630
Fuel Capacity	DGE	146
Dimensions (W x H x D)	Inches	90.5 x 77.25 x 41
Fuel Module	-	Integrated (or separate)
Total Frame Weight (w/o Tanks)	Lbs	1336
Weight of Tanks (Qty. 5-21"x86" Neck Mount)	Lbs	925 (185/tank)
Total System Weight (Empty)	Lbs	2261
Total System Weight (Full)	Lbs	3066

All units are tested and serialized for warranty, tracking and servicing functionality.

MAINSTAY
FUEL TECHNOLOGIES

