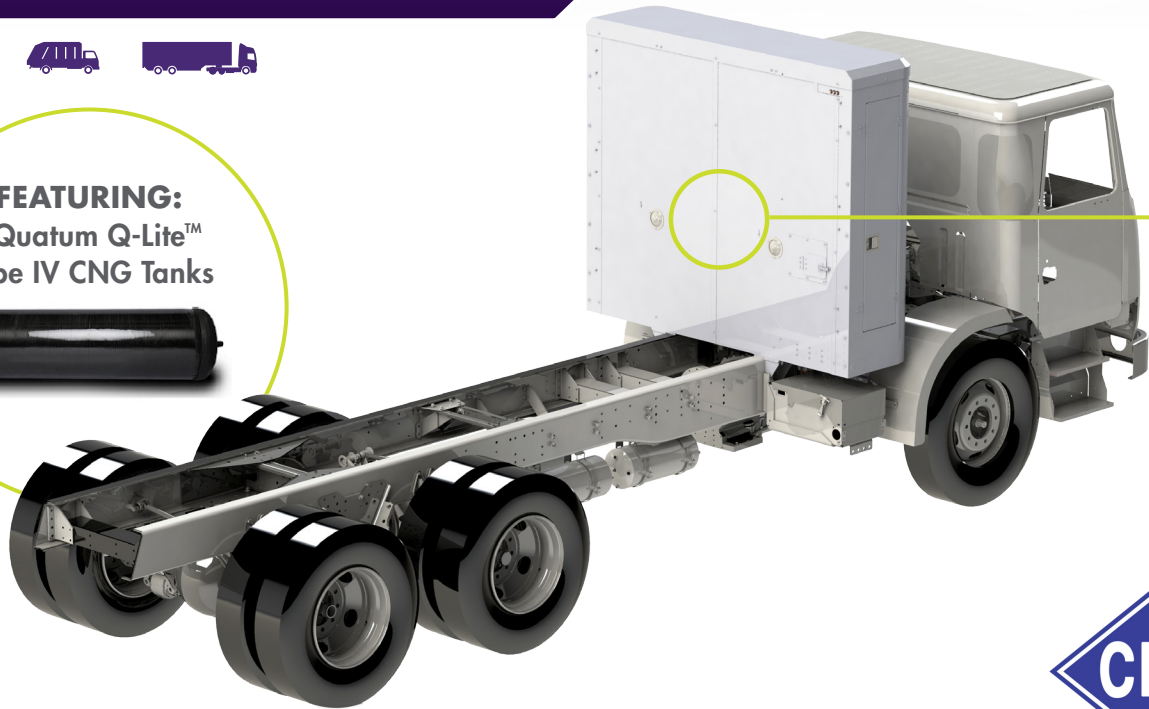


**GEN-3T Back of Cab CNG System
For Medium and Heavy-Duty Vehicles**



FEATURING:
Quatum Q-Lite™
Type IV CNG Tanks



MAJOR FEATURES INCLUDE:

DESCRIPTION	UNITS	GEN-3T-N BOC SYSTEM
Range	Miles	300-380
Fuel Capacity	DGE	88
Dimensions (W x H x D)	Inches	90.5 x 77.25 x 25.25
Fuel Module	-	Integrated (or separate)
Total Frame Weight (w/o Tanks)	Lbs	1090
Weight of Tanks (Qty. 3-21"x86" Neck Mount)	Lbs	555 (185/tank)
Total System Weight (Empty)	Lbs	1645
Total System Weight (Full)	Lbs	2127

All units are tested and serialized for warranty, tracking and servicing functionality.

MAINSTAY
FUEL TECHNOLOGIES



MAINSTAYFUELTECH.COM